

WP Series - Top Entry MultiPlex

BAG FILTER HOUSINGS

Standard Housings: ASME Code
Available as 2, 3 or 4 Housing Design

INTRODUCTION

The Jonell Systems Top Entry Multiplex WP series (formerly Nowata) bag housings are available in valved or non-valved configurations. Isolation valves allow one vessel's filter media to be changed while another is left on-stream filtering. These high quality industrial and commercial service vessels are designed to withstand years of field and plant operation. In applications requiring high volume filtration at moderate efficiency, the Top Entry Multiplex bag housing will provide rugged and dependable service.

The design of the housing allows the use of standard and high efficiency bags and a wide variety of o-ring materials with no change in design. This means that whether it's filtering hydrocarbons, glycol, coolant, inks or water, the Top Entry Multiplex WP series bag housing will fit the need

FEATURES

- Standard vessels are ASME code (Non-code vessels are also available)
- Standard - all wetted parts 316 stainless steel.
- 150 psi working pressure, temp. 250 °F max. (Higher temperatures available upon request)
- Adjustable leg assembly and manifold supports allow elevation to be field adjusted.
- For use with standard #2 size bag (7" x 30").
- Designed for use with heavy duty, high efficiency bags and standard thickness conventional bags.
- Stainless steel perforated baskets included with housings.
- Available in valved or non-valved configurations.
- Isolation valves allow one vessel's media to be changed while the another is left on-stream to continue filtering.
- Designed to withstand years of field and plant operation.
- Housing design allows the use of standard and high efficiency bags and a wide variety of o-ring material.



JONELL SYSTEMS™

Filtration Group

ООО «ТИ-СИСТЕМС» ИНЖИНИРИНГ И ПОСТАВКА ТЕХНОЛОГИЧЕСКОГО ОБОРУДОВАНИЯ

Интернет: www.tisys.ru www.tisys.kz www.tisys.by www.tesec.ru www.ти-системс.рф

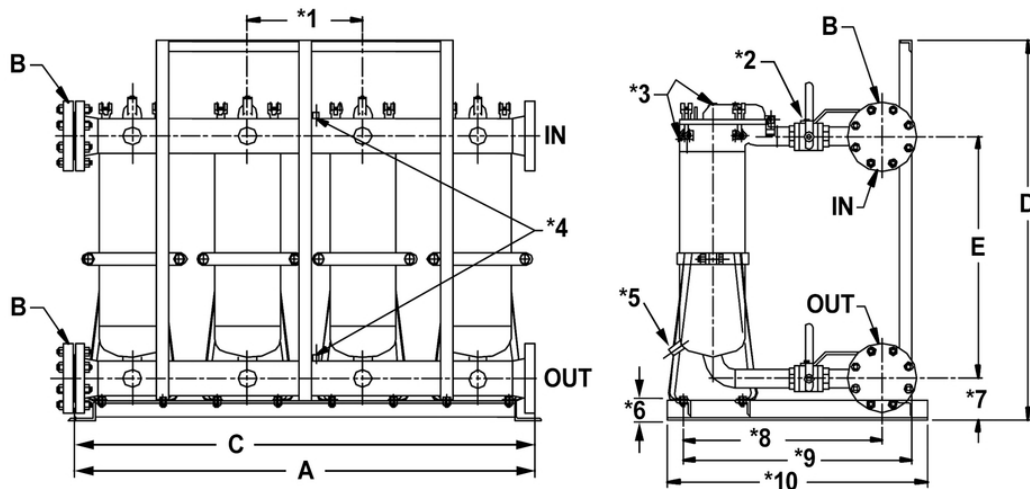
Телефоны: +7 (495) 7774788, 7489626, (925) 5007155, 54, 65 Эл. почта: info@tisys.ru info@tisys.kz info@tisys.by

STANDARD CONSTRUCTION

Standard material of construction for the Top Entry MultiPlex WP series bag filter housing is wetted 316 stainless steel. The filter's lid assembly is an investment casting of the same material. The leg skid assembly and bolting are painted or plated carbon steel. Standard o-ring material is Viton in both front and rear seals. The standard drain port for each vessel is 3/4" FNPT, mounted in the bottom of the elliptical head.

There are two 1/4" FNPT vent/gauge ports located at the top of the lid assembly, as well as on the housing inlet and outlet manifold. Both the front and rear o-ring grooves are located on the body of the unit. This allows the o-rings to maintain their placement during bag changeout. Standard baskets are 316 stainless steel. Customized filter baskets are available upon customer request. Housing dimensions will be the same with or without valves.

DIMENSIONAL INFORMATION



Model	Number of Housings	A	B	C	D	E
WPTU2U31W15	2	40	3" 150#	33¾	49½	31½
WPTU3U31W15	3	55	3" 150#	48¾	49½	31½
WPTU4U41W15	4	60	4" 150#	59¾	49½	31½

Dimensions in inches except where noted. Due to our continuing program of product improvement, specifications are for reference only and subject to change without notice. Dimensions are approximate values and not intended for piping specifications.

NOTES:	A = Header face to face	*1 = Typically 15 inches	*6 = 2-1/2 inches
	B = Header flange size. Blind flange or inlet/outlet RFWN #150 flange.	*2 = Ball valves 2 inches	*7 = 5-1/2 inches
	C = Skid bolt hole centers	*3 = Gauge port/air vent 1/4 inch FNPT	*8 = 26-1/16 inches
	D = 49-1/2 inches	*4 = DP tap 1/4 inch FNPT	*9 = 30 inches
	E = 31-1/2 inches	*5 = Drain 3/4 inch	*10 = 34 inches

TYPICAL MODEL NUMBER

WP	T	U	2	U	3	1	W	15	V
Jonell Systems Series	Inlet Location	Material of Construction	Number of Housings	ASME Code	Manifold Inlet/Outlet Size	Valves	Inlet/Outlet Header Style	Pressure Rating	O-Ring Material
WP = Top Entry MultiPlex Bag Housing	T = Top Entry	U = 316 SS wetted	2 = 2 3 = 3 4 = 4	U = ASME Code N = Non-code	2 = 2" 3 = 3" 4 = 4"	1 = With valves 0 = No valves	W = RFWN	15 = 150 psi	N = Buna V = Viton E = EPDM



JONELL SYSTEMS™

Filtration Group

ООО «ТИ-СИСТЕМС» ИНЖИНИРИНГ И ПОСТАВКА ТЕХНОЛОГИЧЕСКОГО ОБОРУДОВАНИЯ

Интернет: www.tisys.ru www.tisys.kz www.tisys.by www.tesec.ru www.ти-системс.рф

Телефоны: +7 (495) 7774788, 7489626, (925) 5007155, 54, 65 Эл. почта: info@tisys.ru info@tisys.kz info@tisys.by

W Series Multi-Round

BAG FILTER HOUSINGS

Customization of Most Features Available

INTRODUCTION

The Jonell Systems Multi-Round, W series (formerly Nowata) bag housings effectively remove dirt, pipe scale, and other contaminants from process liquids such as water, chemical and petroleum products. They can be used with standard #2 size bags or with the included perforated baskets as strainers. Housing material is available in carbon steel or 316 stainless steel wetted construction.

Optional construction design can include exotic materials (such as Hastelloy), different connection styles and sizes, bag hold down plate or baskets with mesh lining.

Housings that are 24 inches and under, outside diameter, feature a flat top style lid, while housings over 24 inches O.D. utilize a dish style lid (as shown).

Features such as inlet & outlet locations can be customized from side-in/side-out, to bottom-in/bottom-out, or same side in & out.

FEATURES

- Standard housing price includes ASME code U stamp
- Standard - All wetted parts 316 stainless steel or carbon steel, other materials are available
- 150 psi working pressure
- Heavy duty support legs
- Housings hold standard #2 size bags (7" x 30") using 316 stainless steel internal baskets
- Designed for use with heavy duty, high efficiency bags and standard thickness conventional bags
- Swing bolt closure with Buna o-ring seal and head lifting davit
- Custom configurations available upon request



JONELL SYSTEMS™

Filtration Group

ООО «ТИ-СИСТЕМС» ИНЖИНИРИНГ И ПОСТАВКА ТЕХНОЛОГИЧЕСКОГО ОБОРУДОВАНИЯ

Интернет: www.tisys.ru www.tisys.kz www.tisys.by www.tesec.ru www.ти-системс.рф

Телефоны: +7 (495) 7774788, 7489626, (925) 5007155, 54, 65 Эл. почта: info@tisys.ru info@tisys.kz info@tisys.by

W4 Series

BAG FILTER HOUSINGS

Housings Accommodate 12 inch Deep #4 Size Bags

INTRODUCTION

The Jonell Systems W4 series (formerly Nowata) liquid bag filter housings effectively remove dirt, pipe scale, and other contaminants from process liquids such as water, chemical and petroleum products.

Designed for pressure ratings from 300 to 500 psi and flow rates to 50 gpm, this filter housing can be used with a standard #4 size bag or with the included perforated basket as a strainer.

Standard options of carbon steel or 316 stainless steel, with FNPT or flanged inlet and outlet, are stocked at the factory and ready for immediate shipment.

FEATURES

- Housings in carbon steel or 316 stainless steel
- 300 psi working pressure rating
- Low pressure drop
- Hinged quick-opening closure with eye nuts
- Differential, drain and vent ports
- 316 stainless steel strainer basket
- Viton lid seal

OPTIONAL FEATURES

- ASME code stamp
- 500 psi working pressure rating
- Adjustable tripod support legs
- Other materials of construction available
- Mesh lined strainer baskets



JONELL SYSTEMS™

Filtration Group

ООО «ТИ-СИСТЕМС» ИНЖИНИРИНГ И ПОСТАВКА ТЕХНОЛОГИЧЕСКОГО ОБОРУДОВАНИЯ

Интернет: www.tisys.ru www.tisys.kz www.tisys.by www.tesec.ru www.ти-системс.рф

Телефоны: +7 (495) 7774788, 7489626, (925) 5007155, 54, 65 Эл. почта: info@tisys.ru info@tisys.kz info@tisys.by

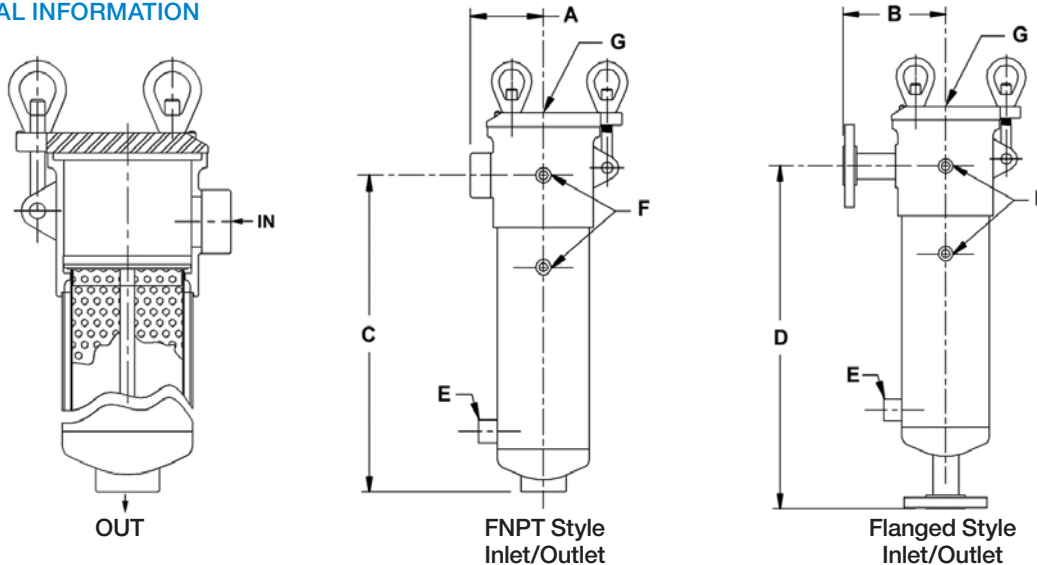
STANDARD CONSTRUCTION

W4 series bag filter housings are designed for operation to 300 psi or optional design pressures to 500 psi. These housings have a large sump area at the bottom of the basket for particulate accumulation. This design utilizes the filter more efficiently and prolongs the life of the bag filter.

The 316 stainless steel basket rests on a steel support ring allowing the bag ring to seal to the side of the housing, eliminating particulate bypass between the filter basket and seat. Optional mesh-lined baskets and various materials for o-rings are available.

A vent located in the housing lid and a drain port allow fast evacuation and rapid filling. Gauge ports are located on the body of the housing to install gauges for monitoring of differential pressure across the bag or strainer basket. Permanently piped housings are opened with simple tools without disturbing the piping. Swing bolts with eye-nuts allow easy opening and closing of the swing-lid. There is no need to remove any hardware. Vessels are blast cleaned and painted as a standard finish.

DIMENSIONAL INFORMATION



W4 Model Bag Filter Housing Data							
Pipe Size	A	B	C	D	E Drain	F Gauge Port	G Vent Port
1	3	4.3	17.5	18.9	0.5	0.25	0.25
1.5	3.2	4.3	17.5	18.9	0.5	0.25	0.25

Basket Data for W4 Series Bag Vessel with Flow Rates to 50 gpm				
Depth Nominal	Basket Diameter	Surface Area (sq. ft.)	Volume (cu. in.)	Standard Bag Size
12	3.9	1.0	130	#4

Dimensions in inches except where noted. Due to our continuing program of product improvement, specifications are for reference only and subject to change without notice. Dimensions are approximate values and not intended for piping specifications.

TYPICAL MODEL NUMBER

W	8	T	U	30	U	15	W	2	V	E	
Jonell Systems Series	Vessel OD	Inlet Location	Material	Basket Depth	ASME Code	Maximum Pressure	Inlet/Outlet Style	Inlet/Outlet Size	O-ring Material	Outlet Location	Options
W Bag Series	4 4" 24 24"	T Over the Top Entry N Side Entry B Bottom Entry	U 316 SS Wetted C Carbon Steel H Hastelloy Wetted A 304 SS Wetted	12 12" 15 15" 18 18" 30 30"	C ASME U stamp U ASME UM stamp N Non-code	10 100 psi 15 150 psi 30 300 psi	N FNPT F RFSO W RFWN B Butt Welded K Sanitary Connection	1 1" 6 6" K 1½" 8 8" 2 2" 10 10" 3 3" 12 12" 4 4"	N Buna V Viton E EPDM S Teflon encapsulated silicon T Teflon encapsulated Viton	B Bottom E Bottom Elbow Outlet S Side Outlet T Tee Bottom	O Opposite Hand I/O orientation S Strainrite hinged lid with special body length



JONELL SYSTEMS™

Filtration Group

ООО «ТИ-СИСТЕМС» ИНЖИНИРИНГ И ПОСТАВКА ТЕХНОЛОГИЧЕСКОГО ОБОРУДОВАНИЯ

Интернет: www.tisys.ru www.tisys.kz www.tisys.by www.tesec.ru www.ти-системс.рф

Телефоны: +7 (495) 7774788, 7489626, (925) 5007155, 54, 65 Эл. почта: info@tisys.ru info@tisys.kz info@tisys.by

W6 Series

BAG FILTER HOUSINGS

Housings Accommodate #8 or #9 Size Bags

INTRODUCTION

The Jonell Systems W6 series (formerly Nowata) liquid bag filter housings effectively remove dirt, pipe scale, and other contaminants from process liquids such as water, chemical and petroleum products. These housings can be used with standard #8 or #9 size bags or the included perforated basket support as a strainer. Housings are designed for pressures up to 150 psi with flow rates to 100 gpm. Housings come standard in carbon steel or 316 stainless steel construction, and with FNPT or flanged inlet and outlet

FEATURES

- Housings in carbon steel or 316 stainless steel
- 150 psi working pressure rating
- Low pressure drop
- Flow rates to 100 gpm
- Hinged quick-opening swing closure with eye nuts
- Differential, drain and vent ports
- Viton lid seal
- 316 stainless steel basket
- Adjustable tripod support legs

OPTIONAL FEATURES

- Mesh lined strainer baskets
- ASME code stamp
- Higher pressures available
- Other materials of construction available



JONELL SYSTEMS™

Filtration Group

ООО «ТИ-СИСТЕМС» ИНЖИНИРИНГ И ПОСТАВКА ТЕХНОЛОГИЧЕСКОГО ОБОРУДОВАНИЯ

Интернет: www.tisys.ru www.tisys.kz www.tisys.by www.tesec.ru www.ти-системс.рф

Телефоны: +7 (495) 7774788, 7489626, (925) 5007155, 54, 65 Эл. почта: info@tisys.ru info@tisys.kz info@tisys.by

W8 Series

BAG FILTER HOUSINGS

Housings Accommodate #1 or #2 Size Bags

INTRODUCTION

The Jonell Systems W8 series (formerly Nowata) liquid bag filter housing effectively removes dirt, pipe scale, and other contaminants from process liquids such as water, chemical and petroleum products. These housings can be used with standard #1 or #2 size bags or the included perforated basket as a strainer. These housings are designed for pressures up to 150 psi with flow rates to 220 gpm.

Housings come standard in carbon steel or 316 stainless steel construction with FNPT or flanged inlet and outlet.

FEATURES

- Carbon steel or 316 stainless steel construction
- 150 psi working pressure rating
- Low pressure drop
- Flow rates to 220 gpm
- Hinged quick opening swing closure with handle and eye nuts
- Differential, drain and vent ports
- 316 stainless steel strainer basket
- Viton lid seal (optional materials available)
- Adjustable tripod support legs

OPTIONAL FEATURES

- Mesh lined strainer baskets
- ASME code stamp
- Higher pressures available
- Other materials of construction available



JONELL SYSTEMS™

Filtration Group

ООО «ТИ-СИСТЕМС» ИНЖИНИРИНГ И ПОСТАВКА ТЕХНОЛОГИЧЕСКОГО ОБОРУДОВАНИЯ

Интернет: www.tisys.ru www.tisys.kz www.tisys.by www.tesec.ru www.ти-системс.рф

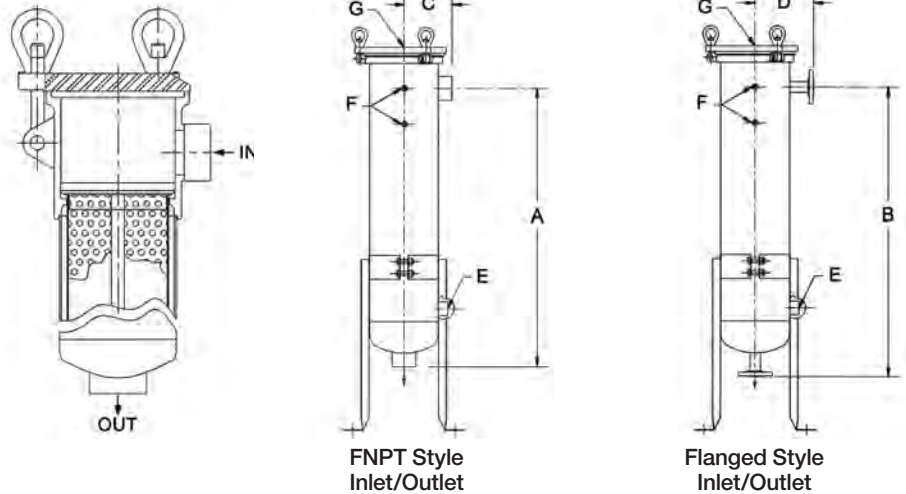
Телефоны: +7 (495) 7774788, 7489626, (925) 5007155, 54, 65 Эл. почта: info@tisys.ru info@tisys.kz info@tisys.by

STANDARD CONSTRUCTION

The W8 series bag filter housings are designed for operation up to 150 psi. The housing design provides a large sump area at the bottom of the basket for particulate accumulation. This design utilizes the filter more efficiently and prolongs the life of the bag filter. The stainless steel basket rests on a steel support ring with an o-ring mounted in a groove, allowing the bag ring to seal and eliminating particulate bypass between the basket and ring. Optional mesh-lined strainer baskets and various materials for o-rings are available.

A vent located in the housing lid and a drain port allow fast evacuation and rapid filling. Gauge ports are located on the body of the housing to install gauges for monitoring of differential pressure across the bag or strainer basket. Permanently piped housings are opened with simple tools without disturbing the piping. Swing bolts with eye-nuts allow easy opening and closing of the lid. There is no need to remove any of the hardware. As a standard finish, all vessels are blast cleaned and painted with a coat of machinery enamel.

DIMENSIONAL INFORMATION



W8 Model Bag Filter Housing Data								
Pipe Size	Bag Depth	A	B	C	D	E Drain	F Gauge Port	G Vent Port
2	15	24.7	25.4	5.3	6.7	1.0	0.25	0.25
	30	36.2	37.4					
3	15	24.7	26.5	5.4	7.1	1.0	0.25	0.25
	30	36.2	38.0					
4	15	24.7	26.6	5.4	7.1	1.0	0.25	0.25
	30	36.2	38.1					

Basket Data for W6 Series Bag Vessel with Flow Rates to 100 gpm				
Basket Depth (Nominal)	Basket Diameter	Surface Area (sq. ft.)	Volume (cu. in.)	Standard Bag Size
15	6.7	2.3	500	#1
30	6.7	4.4	1000	#2

Dimensions in inches except where noted. Due to our continuing program of product improvement, specifications are for reference only and subject to change without notice. Dimensions are approximate values and not intended for piping specifications.

TYPICAL MODEL NUMBER

W	8	T	U	30	U	15	W	2	V	E	
Jonell Systems Series		Inlet Location		Basket Depth		Maximum Pressure		Inlet/Outlet Size		Outlet Location	
W Bag Series		T Over the Top Entry N Side Entry B Bottom Entry		12 12" 15 15" 18 18" 30 30"		10 100 psi 15 150 psi 30 300 psi		1 1" 6 6" K 1½" 8 8" 2 2" 10 10" 3 3" 12 12" 4 4"		B Bottom E Bottom Elbow Outlet S Side Outlet T Tee Bottom	
	Vessel OD		Material		ASME Code		Inlet/Outlet Style		O-ring Material		Options
	4 4" 24 24" 6 6" 30 30" 8 8" 36 36" 18 18" 42 42" 22 22" 48 48"		U 316 SS Wetted C Carbon Steel H Hastelloy Wetted A 304 SS Wetted		C ASME U stamp U ASME UM stamp N Non-code		N FNPT F RFSO W RFWN B Butt Welded K Sanitary Connection		N Buna V Viton E EPDM S Teflon encapsulated silicon T Teflon encapsulated Viton		O Opposite Hand I/O orientation S Strainrite hinged lid with special body length



JONELL SYSTEMS™

Filtration Group

ООО «ТИ-СИСТЕМС» ИНЖИНИРИНГ И ПОСТАВКА ТЕХНОЛОГИЧЕСКОГО ОБОРУДОВАНИЯ

Интернет: www.tisys.ru www.tisys.kz www.tisys.by www.tesec.ru www.ти-системс.рф

Телефоны: +7 (495) 7774788, 7489626, (925) 5007155, 54, 65 Эл. почта: info@tisys.ru info@tisys.kz info@tisys.by

W8T Series

BAG FILTER HOUSINGS

ASME Code, Top Entry Bag Housing for #2 Size Bags

INTRODUCTION

The Jonell Systems W8T series (formerly Nowata), top entry, single bag filter housings are designed to withstand years of field and plant operation. These high quality, industrial and commercial service housings come standard with a bottom outlet with elbow (as shown). A straight bottom outlet, or a side outlet are also available as optional configurations.

The standard configuration of these units assures that they can be easily incorporated into your system. In applications requiring high volume filtration, the W8T series, top entry, single bag filter housings will provide rugged and dependable service at a price that makes them the sure choice. The design of these housings allows the use of standard and high efficiency bags plus a wide variety of o-ring materials with no change in design. This means that whether it's hydrocarbons, glycol, coolant or water, the W8T series, top entry, single bag filter housing will fit your needs.

FEATURES

- Standard vessels are ASME code (Non-code vessels are also available)
- Standard - All wetted parts 316 Stainless Steel
- 150 psi working pressure, temp. 250 °F max. (Higher temperatures available upon request)
- Adjustable leg assembly allows the elevation to be adjusted in the field
- For use with standard #2 bag size (7" x 30")
- Designed for use with heavy duty, high efficiency bags or standard thickness conventional filter bags
- Stainless steel perforated basket included
- 2 inch 150# raised faced inlet and outlet are standard
- Designed to withstand years of field and plant operation



JONELL SYSTEMS™

Filtration Group

ООО «ТИ-СИСТЕМС» ИНЖИНИРИНГ И ПОСТАВКА ТЕХНОЛОГИЧЕСКОГО ОБОРУДОВАНИЯ

Интернет: www.tisys.ru www.tisys.kz www.tisys.by www.tesec.ru www.ти-системс.рф

Телефоны: +7 (495) 7774788, 7489626, (925) 5007155, 54, 65 Эл. почта: info@tisys.ru info@tisys.kz info@tisys.by

WD Series - Top Entry DuPlex

BAG FILTER HOUSINGS

Standard Housings: ASME Code
Accommodate #2 Size Bags

INTRODUCTION

The Jonell Systems Top Entry DuPlex (formerly Nowata) bag filter housings include isolation valves to allow one vessel's media to be changed-out while the other vessel is left on-line to continue filtering. These high quality, industrial and commercial service bag filters are designed to withstand years of field and plant operation.

The standard design configuration of these units assures that they can be easily incorporated into your system. In applications requiring high volume filtration at moderate efficiency, the Top Entry DuPlex bag filter housings will provide rugged and dependable service at a price that makes them the sure choice. The design of these housings allows the use of standard and high efficiency bags plus a wide variety of O-ring materials with no change in design. This means that whether its glycol, hydrocarbons, coolant, inks or water, the Top Entry DuPlex bag filter housings will fit the need.

FEATURES

- Standard vessels are ASME code (Non-code vessels are also available)
- Standard - All wetted parts 316 stainless steel 150 psi working pressure, temp. 250 °F max. (Higher temperatures available upon request)
- Adjustable leg assembly and manifold supports allow elevation to be field adjusted
- For use with standard #2 size bags (7" x 30")
- Designed for use with heavy duty, high efficiency bags and standard thickness conventional bags
- Stainless steel perforated basket included
- Available in valved or non-valved configurations
- Isolation valves allow one vessel's media to be changed while the other is left on-stream to continue filtering
- Designed to withstand years of field and plant operation
- Housing design allows the use of standard and high efficiency bags plus a wide variety of o-ring material



JONELL SYSTEMS™

Filtration Group

ООО «ТИ-СИСТЕМС» ИНЖИНИРИНГ И ПОСТАВКА ТЕХНОЛОГИЧЕСКОГО ОБОРУДОВАНИЯ

Интернет: www.tisys.ru www.tisys.kz www.tisys.by www.tesec.ru www.ти-системс.пф

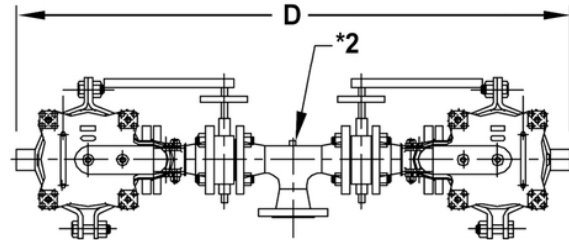
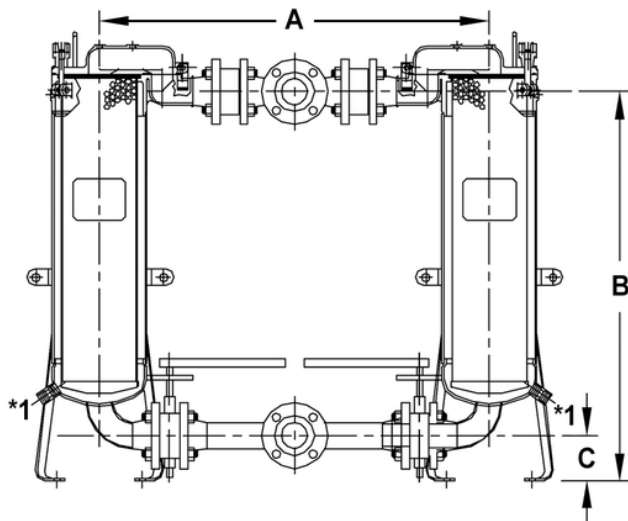
Телефоны: +7 (495) 7774788, 7489626, (925) 5007155, 54, 65 Эл. почта: info@tisys.ru info@tisys.kz info@tisys.by

STANDARD CONSTRUCTION

The standard material used for construction of the Top Entry DuPlex bag housing is 316 stainless steel for all wetted parts. The housing lid assembly is an investment casting of the same material. The leg assembly is plated carbon steel and painted. The standard drain port for each vessel is 3/4" FNPT, mounted in the bottom elliptical head. There are two 1/4" FNPT vent/gauge ports located at the top of the lid assembly, as well as on the inlet and outlet manifold.

Both front and rear o-ring grooves are located on the body of the unit. This ensures that the o-rings maintain their placement during bag change-out. Viton o-rings are standard in both front and rear seals. The standard material used for construction of the perforated bas- kets is 316 stainless steel and can be customized to meet customer requirements. Standard valves are wafer style butterfly with EPDM seals and 316 stainless steel disc and stem.

DIMENSIONAL INFORMATION



A	B ³	C ⁴	D
35½	35¾	4⅛	48¼

NOTES: *1 = Outside diameter, 8.5 inches *2 = Closure vents (2 each) 1/4 inch *3 & *4 = Minimum height (due adjustable legs)

Dimensions in inches except where noted. Due to our continuing program of product improvement, specifications are for reference only and subject to change without notice. Dimensions are approximate values and not intended for piping specifications.

Many features of the Top Entry DuPlex bag filter housings can be customized to meet customer requirements

TYPICAL MODEL NUMBER

WD	T	U	2	U	2	1	W	15	V
Jonell Systems Series	Inlet Location	Material of Construction	Number of Housings	ASME Code	Manifold Inlet/Outlet Size	Valves	Inlet/Outlet Header Style	Pressure Rating	O-Ring Material
WD = Top Entry DuPlex Bag Housing	T = Top Entry	U = 316 SS wetted	2	U = ASME Code N = Non-code	2 = 2" 3 = 3" 4 = 4"	1 = With valves 0 = No valves	W = RFWN	15 = 150 psi	N = Buna V = Viton E = EPDM More options available

WN Series Multi-Round

BAG FILTER HOUSINGS

Customization of Most Features is Available

INTRODUCTION

The Jonell Systems Multi-Round, WN series (formerly Nowata), bag housings effectively remove dirt, pipe scale, and other contaminants from process liquids such as water, chemical and petroleum products. They can be used with standard #2 size bags or with the included perforated baskets as strainers. Housing material is available in carbon steel or 304 and 316 stainless steel construction.

Optional construction design can include exotic materials (such as Hastelloy), different connection styles and sizes, bag hold down plate or baskets with mesh lining.

Features such as inlet & outlet locations can be customized from side-in/side-out or same side in & out.

FEATURES

- Standard housing price includes ASME code U stamp
- Standard - All vessel parts 304, 316 stainless steel or carbon steel, other materials are available
- 150 psi working pressure
- Heavy duty support legs
- Housings hold standard #2 size bags (7" x 30") using 316 stainless steel internal baskets
- Designed for use with heavy duty, high efficiency bags and standard thickness conventional bags
- Swing bolt closure with Buna o-ring seal and head lifting davit
- Custom configurations available upon request
- Positive seal basket hold-down ring.
- Optional spring-assisted cover lift for easier operator access.
- Higher pressures construction available.



JONELL SYSTEMS™

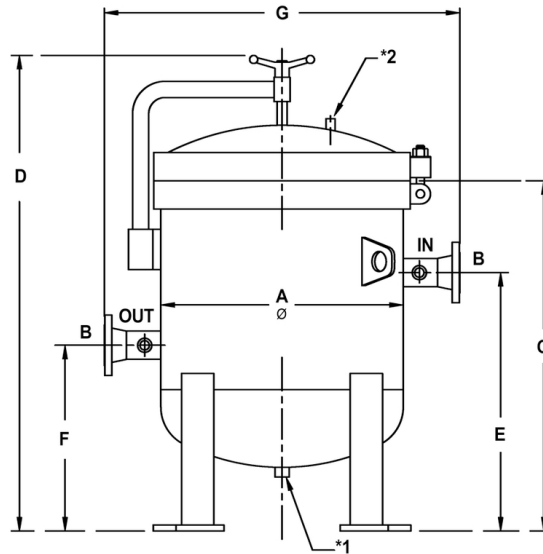
Filtration Group

ООО «ТИ-СИСТЕМС» ИНЖИНИРИНГ И ПОСТАВКА ТЕХНОЛОГИЧЕСКОГО ОБОРУДОВАНИЯ

Интернет: www.tisys.ru www.tisys.kz www.tisys.by www.tesec.ru www.ти-системс.рф

Телефоны: +7 (495) 7774788, 7489626, (925) 5007155, 54, 65 Эл. почта: info@tisys.ru info@tisys.kz info@tisys.by

DIMENSIONAL INFORMATION



A Model O.D.	B I/O Size	C	D	E	F	G	Leg Bolts 7/8" Holes	Weight (approx. lbs)	Number of Baskets	Total Filtration Surface Area (approx. sq.ft.)
18"	4	49	50	39	18	30	4 places on 16" Bolt Center	400	3	13.2
22"	4	49 ⁵ / ₈	50 ¹ / ₂	40	19	34	4 places on 20" Bolt Center	515	4	17.6
24"	6	52	53	42	21	36	8 places on 28" Bolt Center	590	6	26.4
30"	8	54 ¹ / ₄	66 ¹ / ₄	43	24	44	8 places on 34" Bolt Center	850	8	35.2
36"	10	57 ¹ / ₄	70 ³ / ₄	44	27	50	8 places on 40" Bolt Center	1150	12	52.8
42"	12	60 ¹ / ₄	75 ³ / ₈	46	30	56	8 places on 46" Bolt Center	2200	18	79.2
48"	12	62 ¹ / ₄	80 ³ / ₄	48	32	62	8 places on 52" Bolt Center	2530	23	101.2

Dimensions in inches except where noted. Due to our continuing program of product improvement, specifications are for reference only and subject to change without notice. Dimensions are approximate values and not intended for piping specifications.

NOTES: *1 = Drain 1 inch *2 = Vent FNPT 1/2 inch

Unfiltered fluid enters the housing inlet and into the open area under the dome of the cover. Flow is distributed uniformly through the bags or baskets, from inside to outside. Solids are collected on the inside of the bags or baskets, where they can be removed easily and completely.

Standard o-ring material is Buna. DP taps are located on the inlet and outlet piping and allow monitoring of bags or baskets during operation.

TYPICAL MODEL NUMBER

WN	18	H	U	30	U	15	W	2	V	E
Jonell Systems Series	Vessel OD	Closure Style	Material	Basket Depth	ASME Code	Maximum Pressure	Inlet/Outlet Style	Inlet/Outlet Size	O-ring Material	Outlet Location
WN Multi Bag Series	18 18" 36 36" 22 22" 42 42" 24 24" 48 48" 30 30"	D Davit H Hinge (Spring Assist Cover Lift)	U 316 SS Wetted C Carbon Steel A 304 SS Wetted	30 30"	C ASME U stamp N Non-code	15 150 psi	W RFWN	3 3" 8 8" 4 4" 10 10" 6 6" 12 12"	N Buna V Viton E EPDM S Teflon encapsulated silicon T Teflon encapsulated Viton	S Side Outlet O SAME Side Outlet



JONELL SYSTEMS™

Filtration Group

ООО «ТИ-СИСТЕМС» ИНЖИНИРИНГ И ПОСТАВКА ТЕХНОЛОГИЧЕСКОГО ОБОРУДОВАНИЯ

Интернет: www.tisys.ru www.tisys.kz www.tisys.by www.tesec.ru www.ти-системс.рф

Телефоны: +7 (495) 7774788, 7489626, (925) 5007155, 54, 65 Эл. почта: info@tisys.ru info@tisys.kz info@tisys.by